

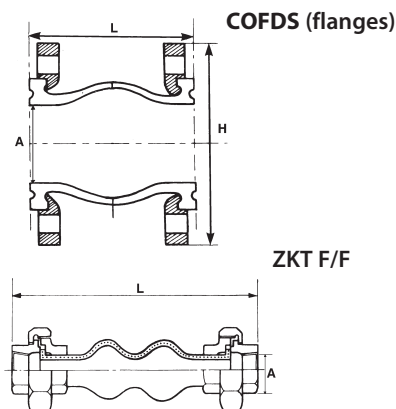
Overall dimensions

COFDS with flanges

DN "	A mm	H mm	L mm	KG
1 ¼	32	140	95	3,00
1 ½	40	150	95	3,50
2	52	165	105	3,86
2 ½	68	185	115	5,45
3	76	200	130	6,50
4	103	220	135	7,00
5	128	250	170	11,00
6	152	285	180	14,00
8	194	340	205	20,91
10	250	395	240	25,00
12	300	445	260	38,18
14	320	505	265	50,00
16	372	565	265	60,00
18	415	615	265	70,00
20	454	670	265	88,64
24	580	780	254	95,00

ZKT F/F

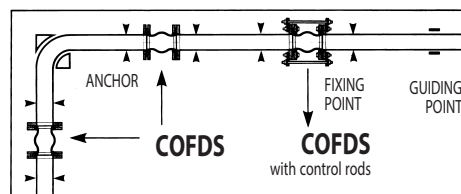
"	A mm	L mm	KG
¾	20	200	0,775
1	25	200	0,685
1 ¼	32	200	1,585
1 ½	40	200	1,985
2	50	200	2,980
2 ½	65	225	2,335
3	80	225	2,600



Installation scheme

- Mounted on piping installations, the ZKT joint absorbs expansions contractions, oscillations and vibrations, diminishes hammering, reduces noise and prevents electric currents from spreading.

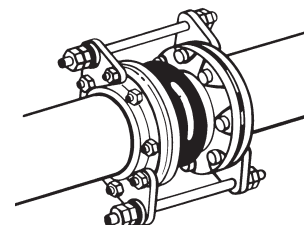
RECOMMENDED INSTALLATIONS SCHEME



Control rods

Control rods in galvanised steel - For flanges PN10 and PN16

DN		U
"	mm	V
1 ¼	32	1
1 ½	40	1
2	50	1
2 ½	65	1
3	80	1
4	100	1
5	125	1
6	150	1
8	200	1
10	250	1
12	300	1
14	350	1
16	400	1
18	450	1
20	500	1
24	600	1



JOINTS SIZE		PSIG	Bar
"	mm		
1" - 4"	25 - 100	150	10,3
5" - 10"	125 - 250	135	9,3
12" - 14"	300 - 350	90	6,2
16" - 24"	400 - 600	45	3,1

Control rod unit must be installed when pressure (Test surge, operating) exceeds the rating above.