

## 3 WAYS BALL VALVE THREADED PN 40



**Size :** DN 1/4" to 2"  
**Ends :** Threaded BSP  
**Min Temperature :** -30°C  
**Max Temperature :** + 140°C  
**Max Pressure :** 40 Bars  
**Specifications :** ISO 5211 mounting pad  
PTFE seat  
Anti blow-out stem

**Materials :** Stainless steel

## 3 WAYS BALL VALVE THREADED PN 40

### SPECIFICATIONS :

- Reduced bore
- Anti blow-out stem
- PTFE seat
- Locking device
- ISO 5211 mounting pad
- Tightness on 3 ways
- L or T port

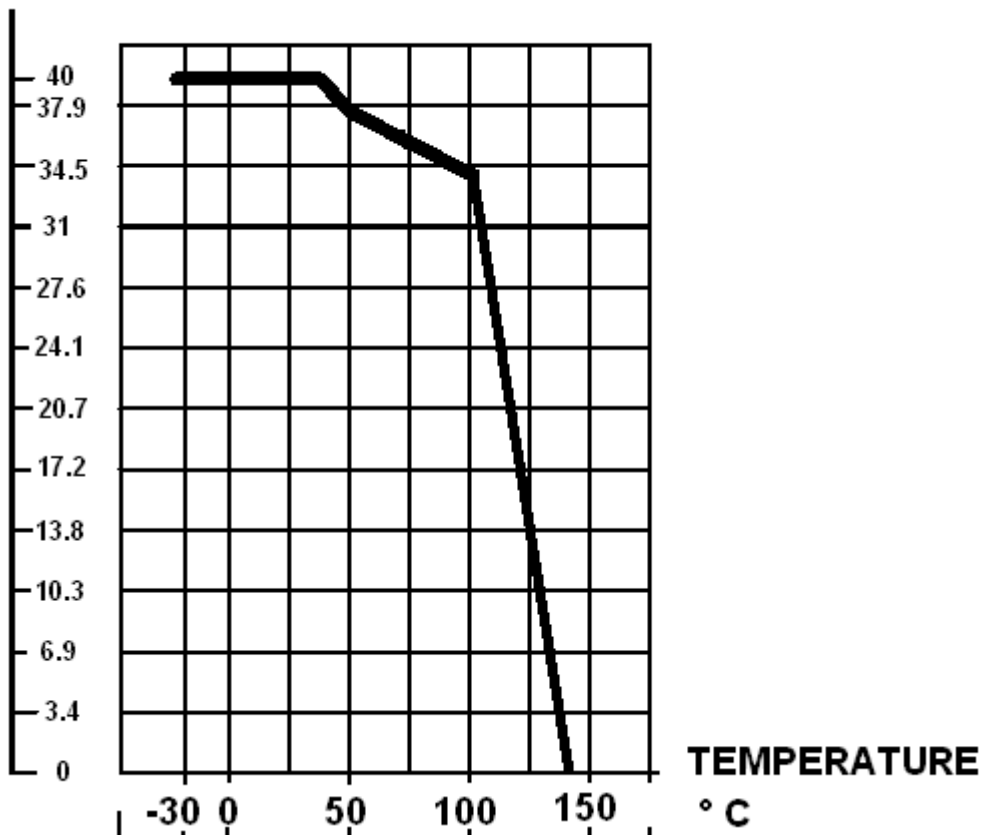
### USE :

- Chemical and pharmaceutical industries, petrochemical industries, hydraulic installation, compressed air
- Min and max Temperature Ts : -30°C to + 140°C
- Max Pressure Ps : 40 bars ( see graph )

### PRESSURE / TEMPERATURE GRAPH ( STEAM EXCLUDED ) :

PRESSURE

BAR



## 3 WAYS BALL VALVE THREADED PN 40

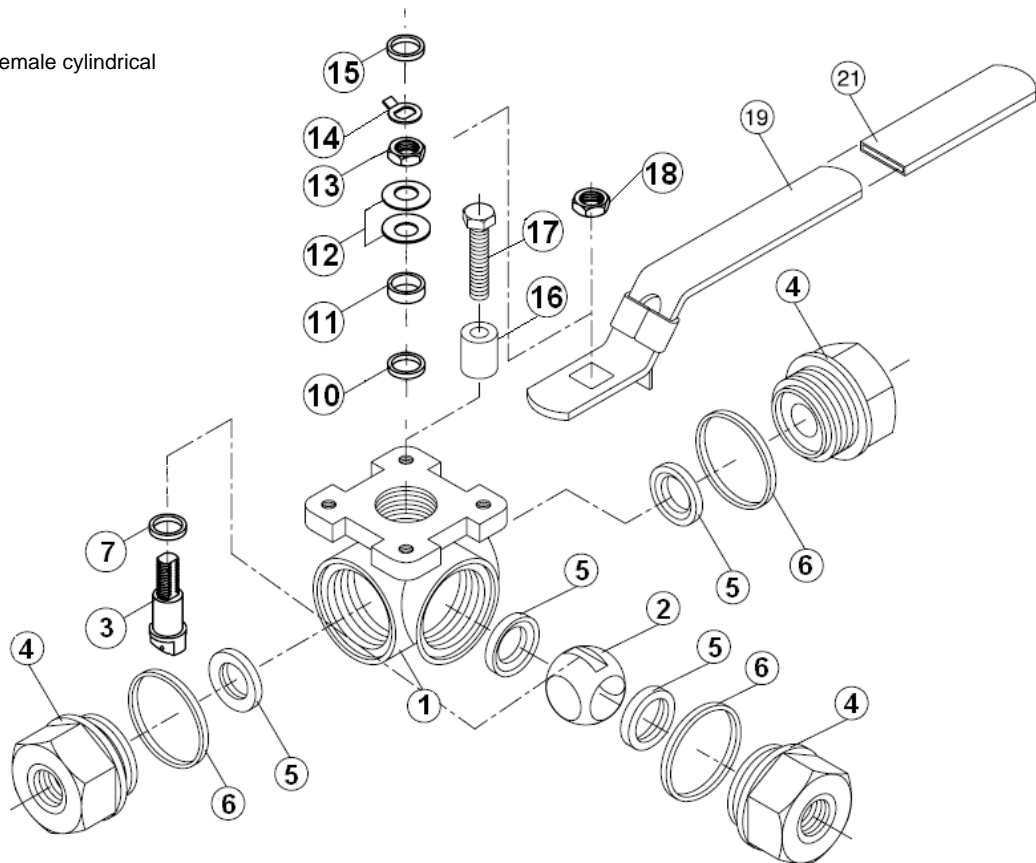
**RANGE :**

- Stainless steel with L port **Ref. 780** from DN 1/4" to 2"
- Stainless steel with T port **Ref. 781** from DN 1/4" to 2"

**ENDS :**

- Threaded BSP female cylindrical

**MATERIALS :**



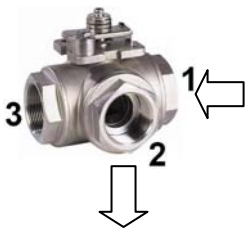
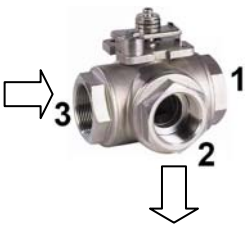
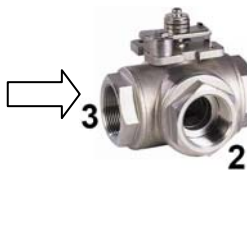

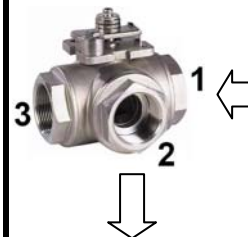
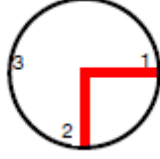
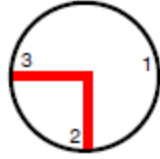

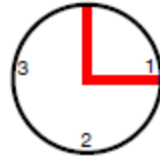
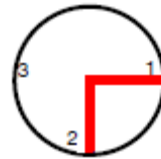
Item	Designation	Materials
1	Body	ASTM A351 CF8M
2	Ball	ASTM A351 CF8M
3	Stem	SS 316
4	Ends	ASTM A351 CF8M
5*	Seat	PTFE
6*	Body seal	PTFE
7*	Stem gasket	PTFE + 3% glass fiber
10*	Packing	PTFE
11	Gland	SS 301
12	Elastic ring	SS 304
13	Packing nut	8
14	Washer	SS 304
15	Handle washer	SS 301
16	Stop pin	8
17	Pin screw	8M
18	Handle nut	8
19	Handle	SS 201
21	Handle cover	Plastic

(\* : Included in gaskets kit )

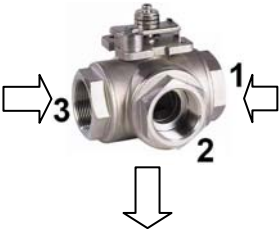
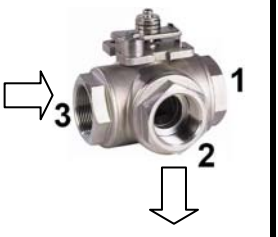
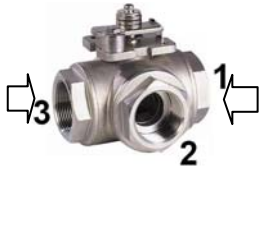
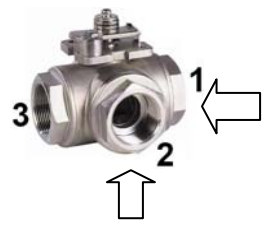
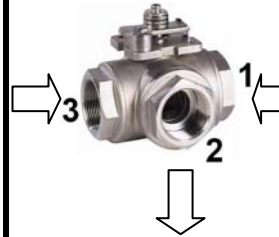
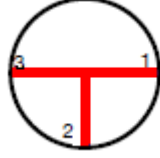



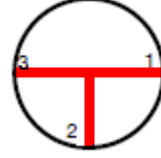
## 3 WAYS BALL VALVE THREADED PN 40

**POSSIBLES POSITIONS :**

**L Port** ( only 2 consecutive positions are possibles )

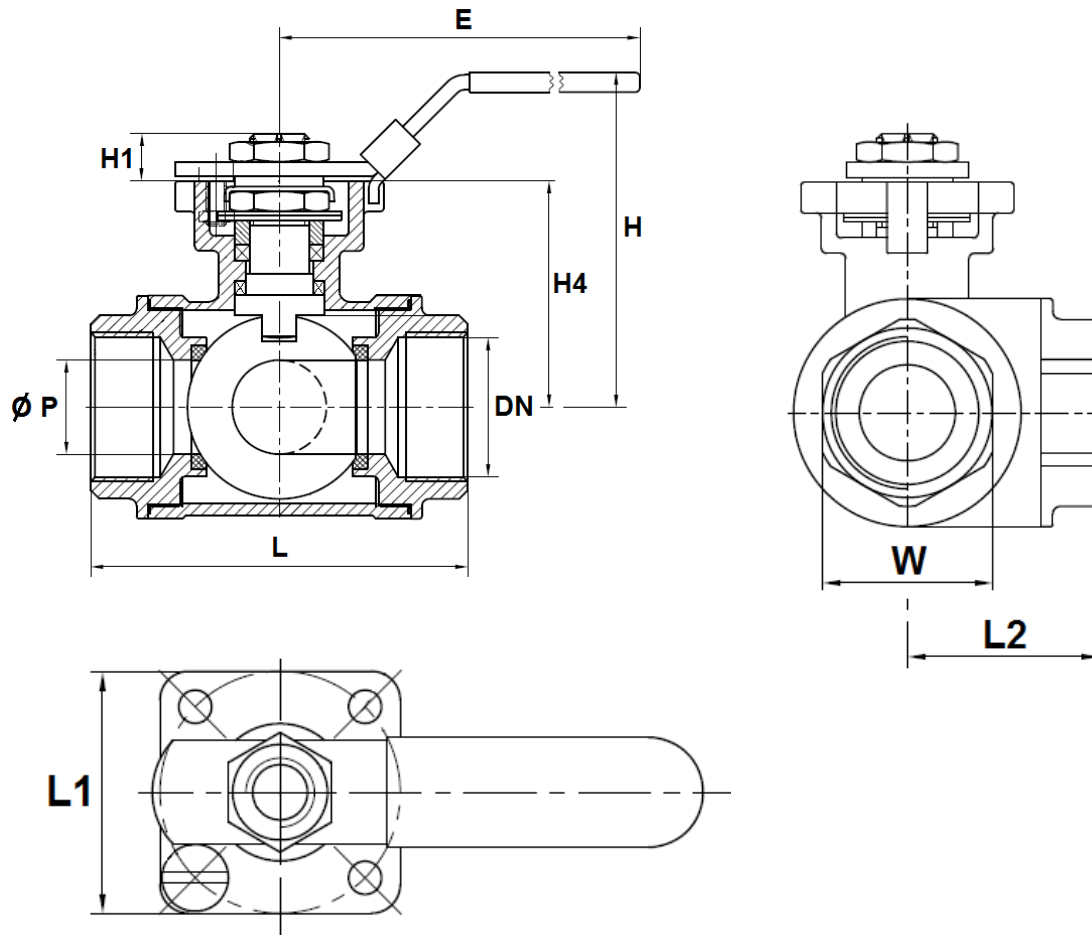
Position L1	Position L2	Position L3	Position L4	Position L5
				
				

**T Port** ( only 2 consecutive positions are possibles )

Position T1	Position T2	Position T3	Position T4	Position T5
				
				

## 3 WAYS BALL VALVE THREADED PN 40

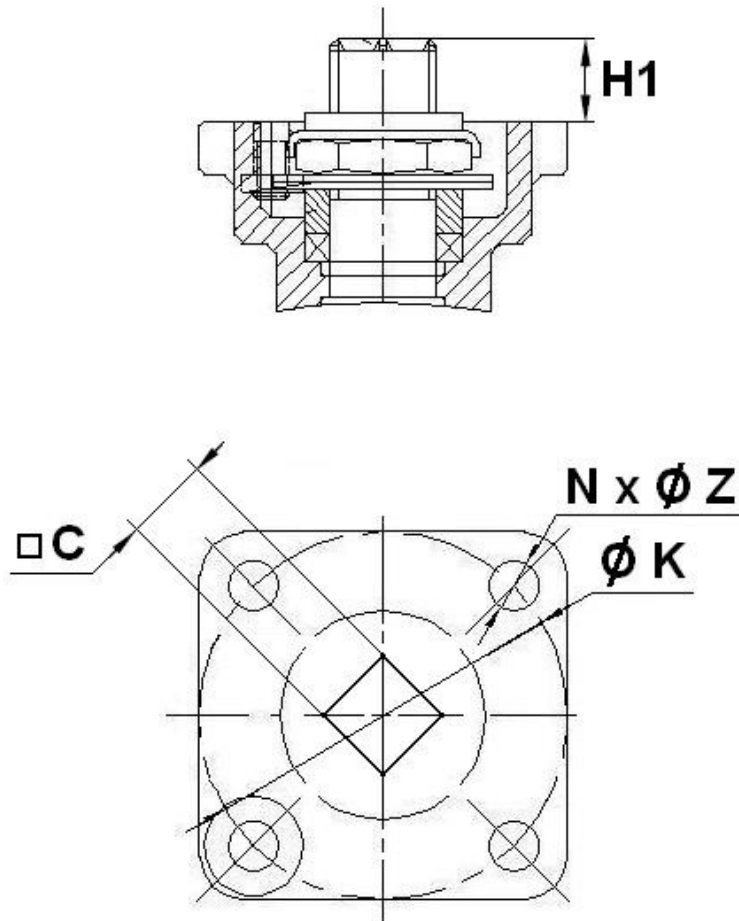
SIZE ( in mm ):



Ref.	DN	1/4"	3/8"	1/2"	3/4"	1"	1"1/4	1"1/2	2"
780 / 781	Ø P	6	8	10	15	18	25	32	38
	L	73	73	73	84	90	124	135	152
	L1	42	42	42	50	50	50	66	66
	L2	36.5	36.5	36.5	42	45.3	62	67.5	76
	E	93	93	93	141	141	170	189	189
	H	59	59	59	63	74.5	87	108	116
	H1	10	10	10	12.5	12.5	13	16	16
	H4	36	36	36	42	49	55.5	70	77.5
	W ( on flat )	25	25	25	32	38	47.5	55	67
	Weight ( Kg )	0.66	0.64	0.60	0.90	1.12	2.18	3.30	4.82

## 3 WAYS BALL VALVE THREADED PN 40

**ISO MOUNTING PAD AND STEM SIZE ( in mm ):**



Ref.	DN	1/4"	3/8"	1/2"	3/4"	1"	1"1/4"	1"1/2"	2"
780 / 781	C	9	9	9	11	11	11	14	14
	H1	10	10	10	12.5	12.5	13	16	16
	Ø K	42	42	42	50	50	50	70	70
	ISO	F04	F04	F04	F05	F05	F05	F07	F07
	N x Ø Z	4 x 6	4 x 6	4 x 6	4 x 7	4 x 7	4 x 7	4 x 9	4 x 9

## 3 WAYS BALL VALVE THREADED PN 40

### TORQUE VALUES ( in Nm without safety coefficient ) :

DN	1/4"	3/8"	1/2"	3/4"	1"	1"1/4	1"1/2	2"
Torque ( Nm )	3	3	5	10	24	35	35	50

### FLOW COEFFICIENT Kvs ( M3 / H ) :

REF.	DN	1/4"	3/8"	1/2"	3/4"	1"	1"1/4	1"1/2	2"
780	Kvs ( M3 / H )	3.51	3.63	4.86	8.28	13.49	21.55	36.14	53.57
781	Kvs ( M3 / H )	4.97	5.14	6.88	11.71	19.07	30.47	51.1	75.76

### STANDARDS :

- Fabrication according to ISO 9001 : 2008
- DIRECTIVE 97/23/CE : CE N° 0035  
Risk Category II Module D1
- Construction according to EN 12516
- Designing according to EN 10213
- Pressure tests according to EN 12266-1
- Threaded BSP cylindrical ends according to ISO 228-1
- ISO 5211 mounting pad

# **3 WAYS BALL VALVE THREADED PN 40**

## **INSTALLATION AND MAINTENANCE**

### **BEFORE INSTALLATION :**

Pipe-line must be cleaned and free from residual of weldings, rubbish, shaving and every kind of extraneous materials.  
Pipe-line must be perfectly aligned and their support properly dimensioned so that there's no external constraint.

Please use the right product according to the services conditions to seal the valve.  
Use the right bolt tightening so that the ends won't be damaged.

### **CLEANING AND TESTS**

Keep closed the valves during the cleaning operation so that there's no impurities between the ball and the body.

Tests under pressure must be done with a cleaned pipe-line.

Open partially the valve for tests. Pressure test do not exceed the valve specifications according to EN 12266-1.

### **MAINTENANCE**

It's recommended to operate the valve twice ( open and close ) 1 to 2 times per year.

When intervention on the valve, be sure there's no pressure in the pipe-line, there's no fluid in it, and that it is isolated.  
The temperature must be low enough to operate without risks.  
If there's a corrosive fluid, inert installation before intervention.

### **When the valve is under pressure :**

If there's a leakage at the packing, tighten it slightly so that the leakage disappears.